

## Medium Duty Scissor Table Specification

### SINGLE SCISSOR TABLES

Capacity	C Raised Height	B Closed Height	Operation	E x A Platform W x L	E x D O/A W x L	F Handle Height	Wheel Dia	Approx Weight	Reference
300KG	840	335	Manual Hyd	500 x 840	500 x 1050	860	125	83	SC-300-S-M
300KG	840	335	Battery Electric	500 x 840	500 x 1130	860	125	130	SC-300-S-E
500KG	900	340	Manual Hyd	610 x 1030	610 x 1320	925	125	109	SC-500-S-M
500KG	900	340	Battery Electric	610 x 1030	610 x 1330	925	125	158	SC-500-S-E

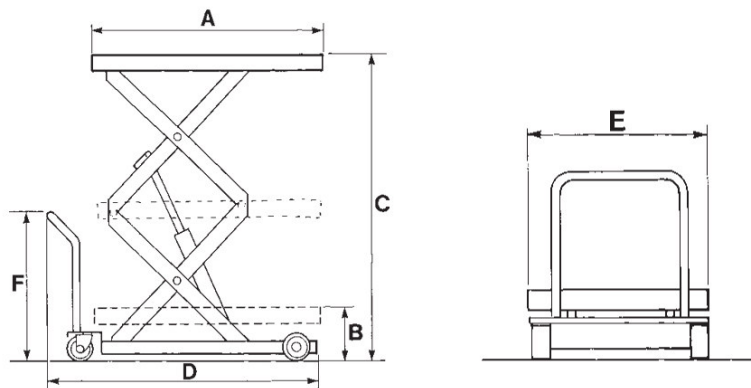
### DOUBLE SCISSOR TABLES

Capacity	C Raised Height	B Closed Height	Operation	E x A Platform W x L	E x D O/A W x L	F Handle Height	Wheel Dia	Approx Weight	Reference
125KG	1420	430	Manual Hyd	500 x 840	500 x 1090	860	125	100	SC-125-D-M
125KG	1420	430	Battery Electric	500 x 840	500 x 1130	860	125	147	SC-125-D-E
300KG	1350	295	Manual Hyd	590 x 840	640 x 1190	900	150/125	110	SC-300-D-M
450KG	1550	295	Manual Hyd	610 x 1030	665 x 1350	910	150/125	143	SC-450-D-M
450KG	1550	295	Battery Electric	610 x 1030	665 x 1350	910	150/125	190	SC-450-D-E

All dimensions are in mm unless otherwise shown

### Options

- Second brake wheel
- Stainless steel top cover
- Plastic roller conveyor top (Increases closed / raised height by 60)
- Ball Top
- Bellows safety skirt
- Rubber Mat



This document was downloaded from – [www.manualhandlingsolutions.com](http://www.manualhandlingsolutions.com)